

Floor height:	272.000 cm
Floor thicken. above:	0.000 cm
Floor thicken. below:	0.000 cm
Joist depth:	25.000 cm
Headroom:	227.571 cm
Angle of incid.:	27.70 °
Run:	37.000 cm
Tread thicken.:	3.300 cm
String thickness	
faceside:	3.300 cm
offside:	3.000 cm
Posts dimensions	
Entry:	6.000*8.000
Corner:	-----
Exit:	-----

Material	
Strings:	Esche
Treads:	Kirschbaum
Riser:	Esche
Posts:	Esche
Handrails:	Esche

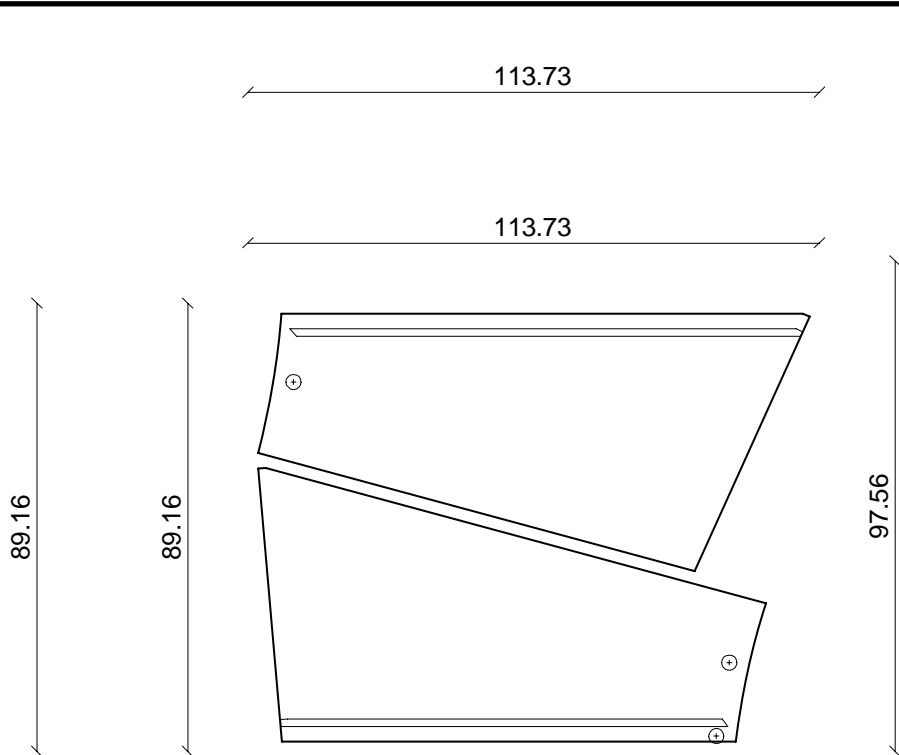
Client: -----  
-----  
-----  
-----



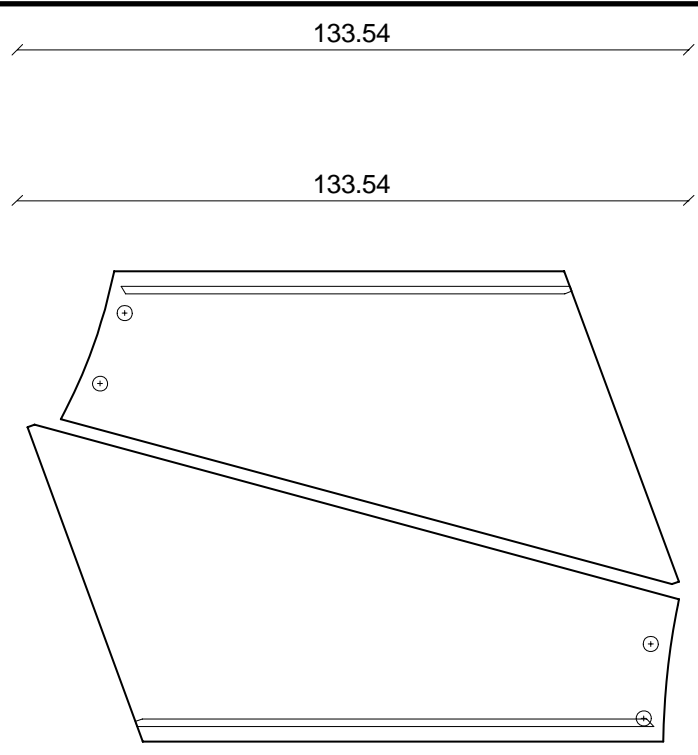
Order: W6  
Project: -----

Run: -----  
Stair: w6-3a

Scale: 1 : 25.00  
10.10.06 20:42



Combination 1 (2, 12)



Combination 2 (3, 9)



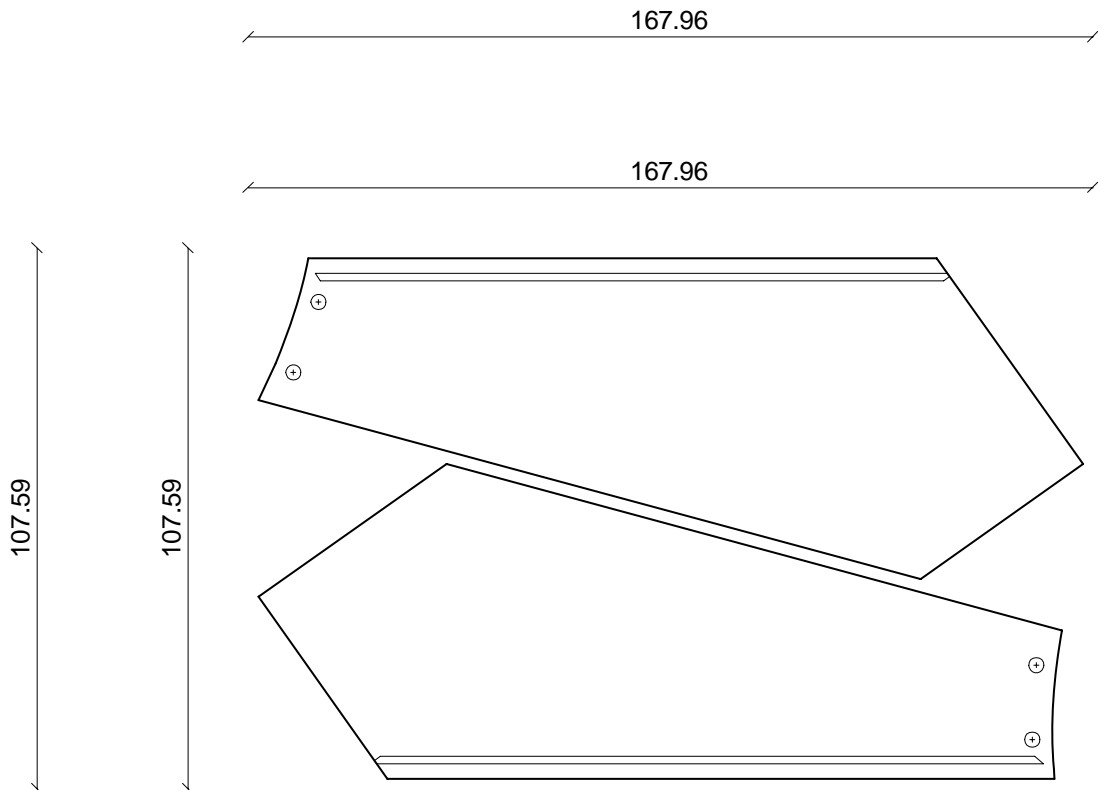
Order: W6  
Project: -----

Run: -----  
Stair: w6-3a

Material: Kirschbaum  
Thickness: 3.300 cm

Scale: 1 : 15  
upper side above

10.10.06  
20:50



Combination 3 (4, 10)



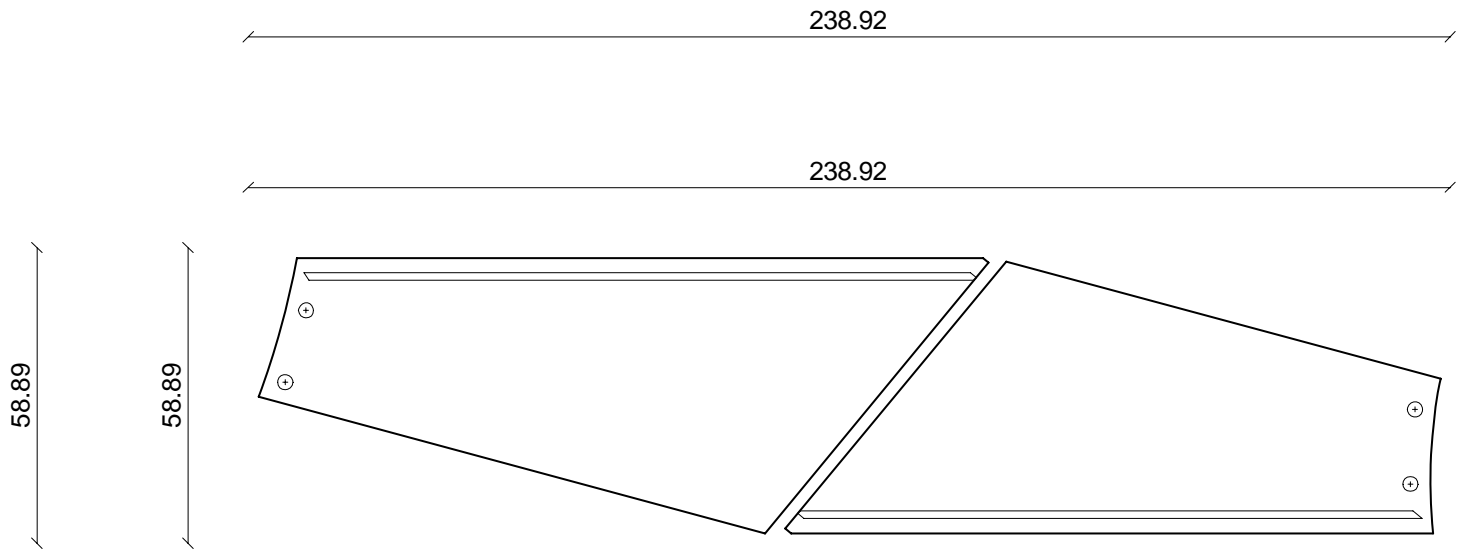
Order: W6  
Project: -----

Run: -----  
Stair: w6-3a

Material: Kirschbaum  
Thickness: 3.300 cm

Scale: 1 : 15  
upper side above

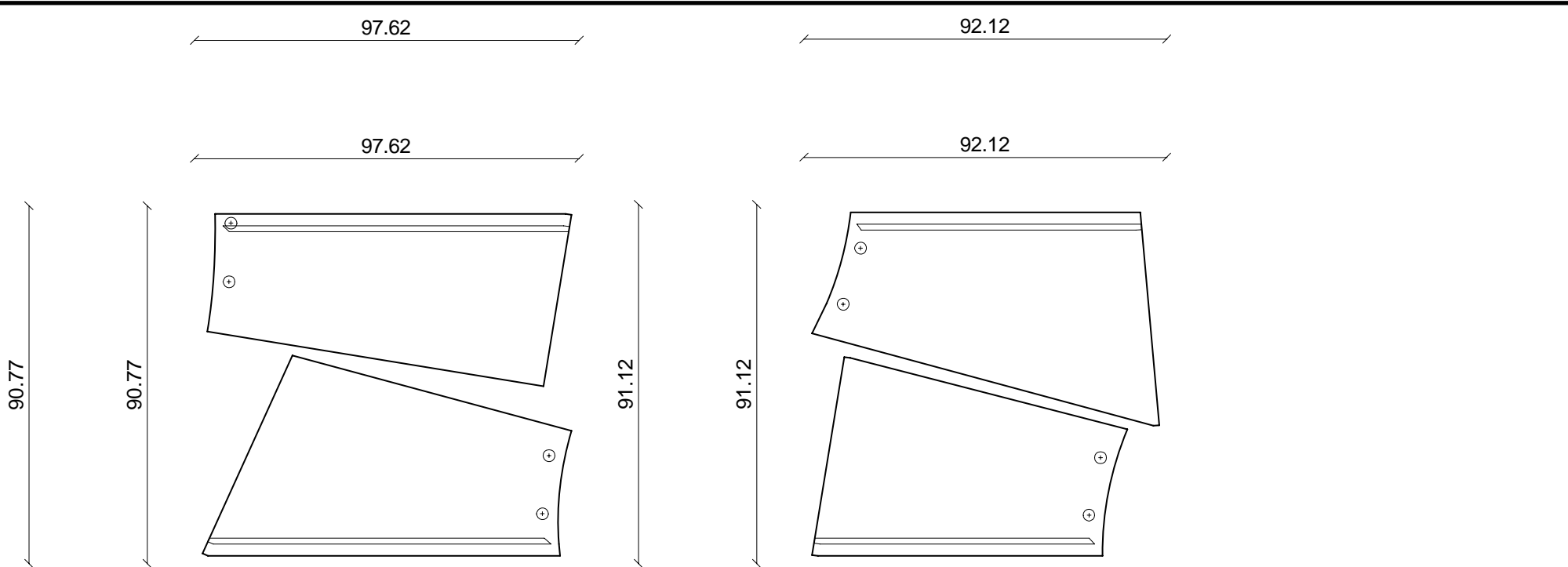
10.10.06  
20:50



Combination 4 (5, 11)



Order:	W6	Run:	-----	Material:	Kirschbaum	Scale:	1 : 15	10.10.06
Project:	-----	Stair:	w6-3a	Thickness:	3.300 cm	upper side above		20:50



Combination 5 (6, 13)

Combination 6 (7, 8)

